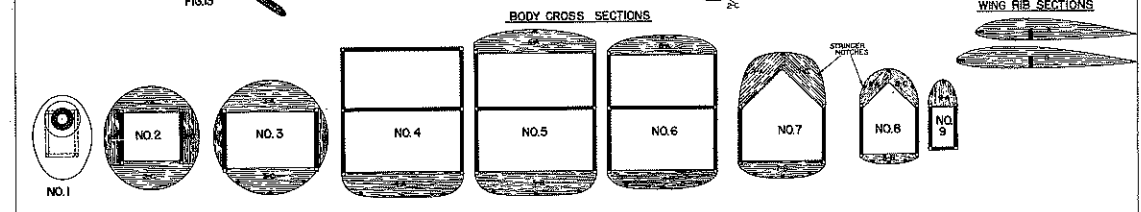
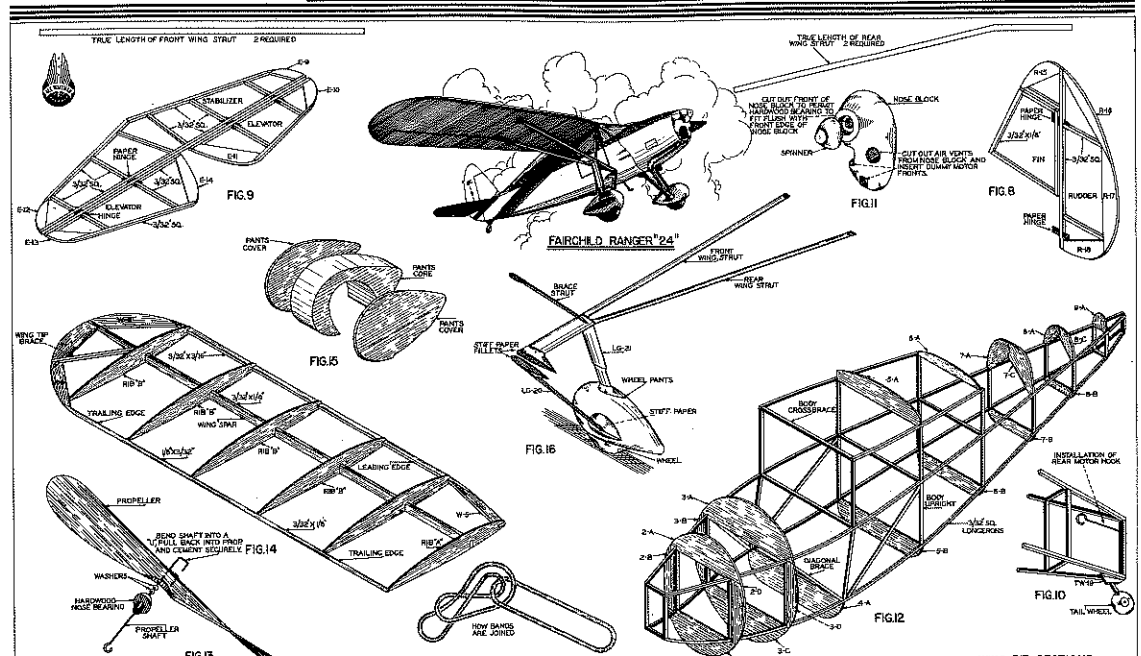
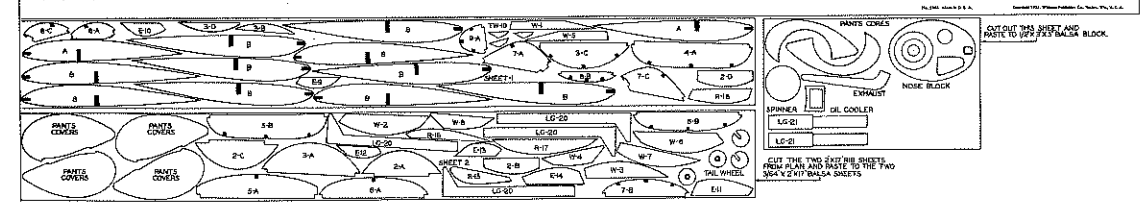




USE LINES BELOW TO OUTLINE ALL CONTROLS

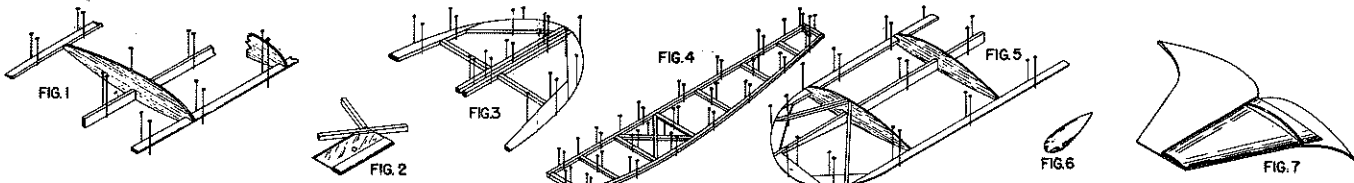


DETAILED INSTRUCTIONS
Step No. 1 Re-enforced Printed Sheets and Balsa Block
Step No. 2 Sandpapering
Step No. 3 Spars, Etc.
Step No. 4 Wing-Ribs
Step No. 5 Body-Sקים
Step No. 6 Body-Sקים
Step No. 7 Body-Sקים
Step No. 8 Body-Sקים
Step No. 9 Body-Sקים
Step No. 10 Templates
Step No. 11 Motor Cover and Cowling
Step No. 12 Propeller
Step No. 13 Bearing, Etc.
Step No. 14 Landing Gear, Fw.
Step No. 15 Wing Struts
Step No. 16 Covering, Etc.
Step No. 17 Windshield and Cabin Windows
Step No. 18 Assembly
Step No. 19 Decorations



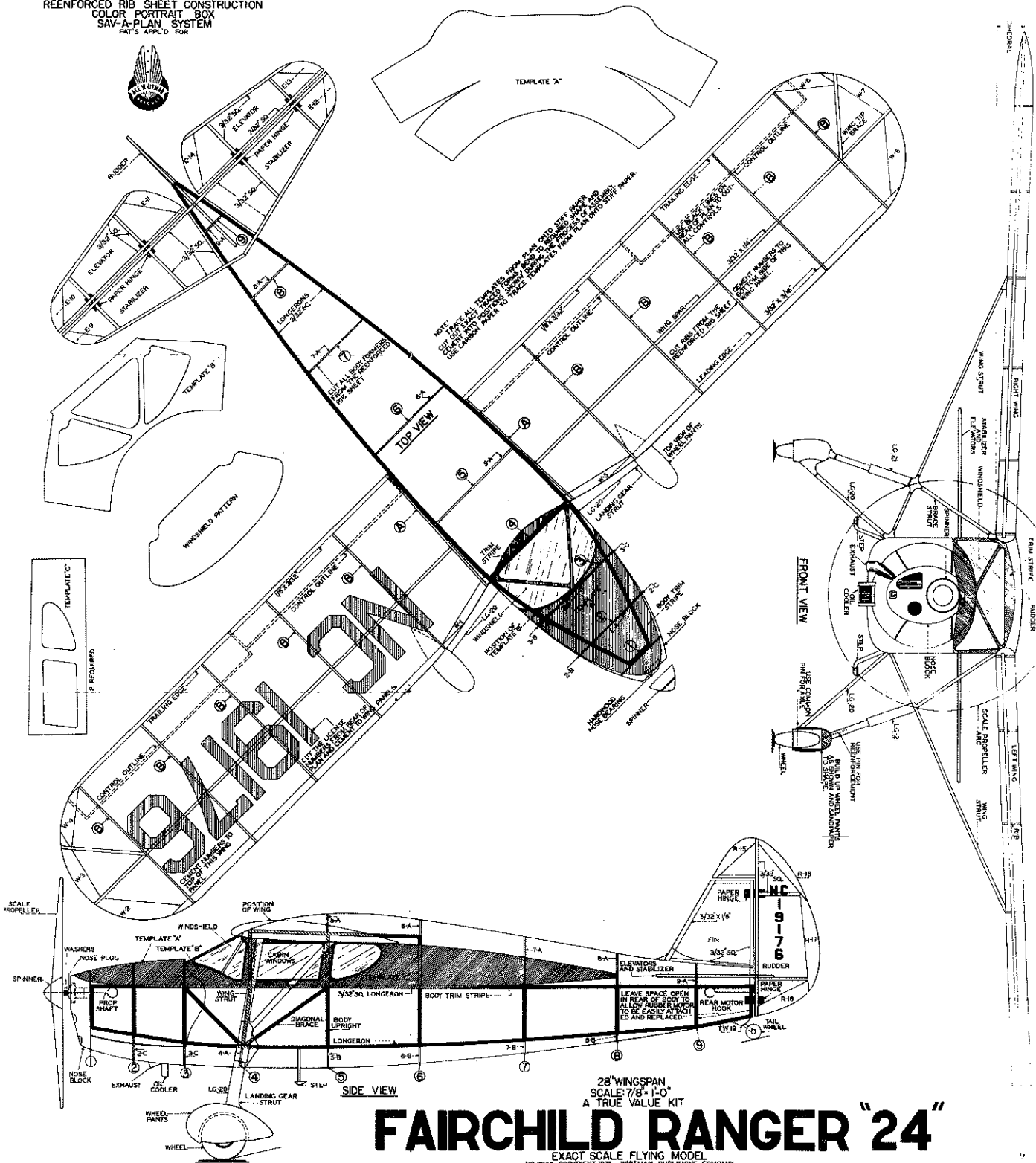
This plan, printed on the front and back of a single sheet, was included with an Ace Whitman kit, produced by the Whitman Publishing Company, Racine, Wisconsin, beginning in 1938. Span is 28", based on 7/8" = 1 foot scale. Harold Johnson, Minneapolis, MN, supplied the "like new" plan from his own Ace Whitman kit. Original plan

was printed in blueprint style . . . white lines on blue background, while the reverse side with instructions and sketches was in black on white. Incidentally, there was no printwood. The parts layouts were to be cut out and "pasted" to blank balsa sheets supplied with the kit.



TYPICAL OR GENERAL METHOD OF HOLDING VARIOUS PARTS INTO POSITION DURING FIRST STEPS OF CONSTRUCTION

REINFORCED RIB SHEET CONSTRUCTION  
 COLOR PORTRAIT BOX  
 SAV-A-PLAN SYSTEM  
 PAT'S APPL'D FOR



# FAIRCHILD RANGER "24"

EXACT SCALE FLYING MODEL  
 NO. 2264 COPYRIGHT 1936 WHITMAN PUBLISHING COMPANY  
 RACINE, WISCONSIN U.S.A.

